

Scaled data based on original data using  
LM-79-08 Approved Method: Electrical and Photometric Measurements of Solid-State  
Lighting Products

Test Report Prepared for  
Cooper Lighting Solutions  
(formerly Eaton)

Brand: STREETWORKS

Report Number: P571652

Luminaire Tested: **UFLD-CA2-150-750-U-66-TS2\_UFLD**

Issue Date: 9/21/2021

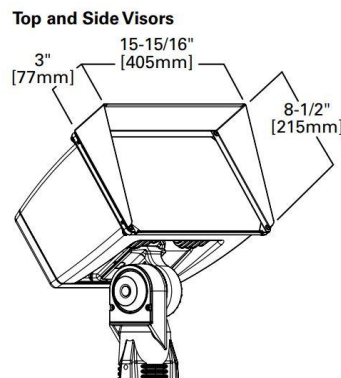
**Test Information**

Test Method: LM-79-08  
Report Number: P571652  
TEST IS SCALED FROM IESNA LM-79-08 TEST DATA (G2-2109-378-4)  
Test Lab: COOPER LIGHTING SOLUTIONS  
Issue Date: 9/21/2021  
Manufacturer: COOPER LIGHTING SOLUTIONS (FORMERLY EATON)  
Product Line: STREETWORKS  
Catalog Number: UFLD-CA2-150-750-U-66-TS2\_UFLD  
Description: FLOOD LIGHT, 6x6 OPTIC WITH TOP AND SIDE VISOR  
Light Source: (2) 5000K CCT, 70 CRI LEDS  
Ballast/Driver: -

**Summary**

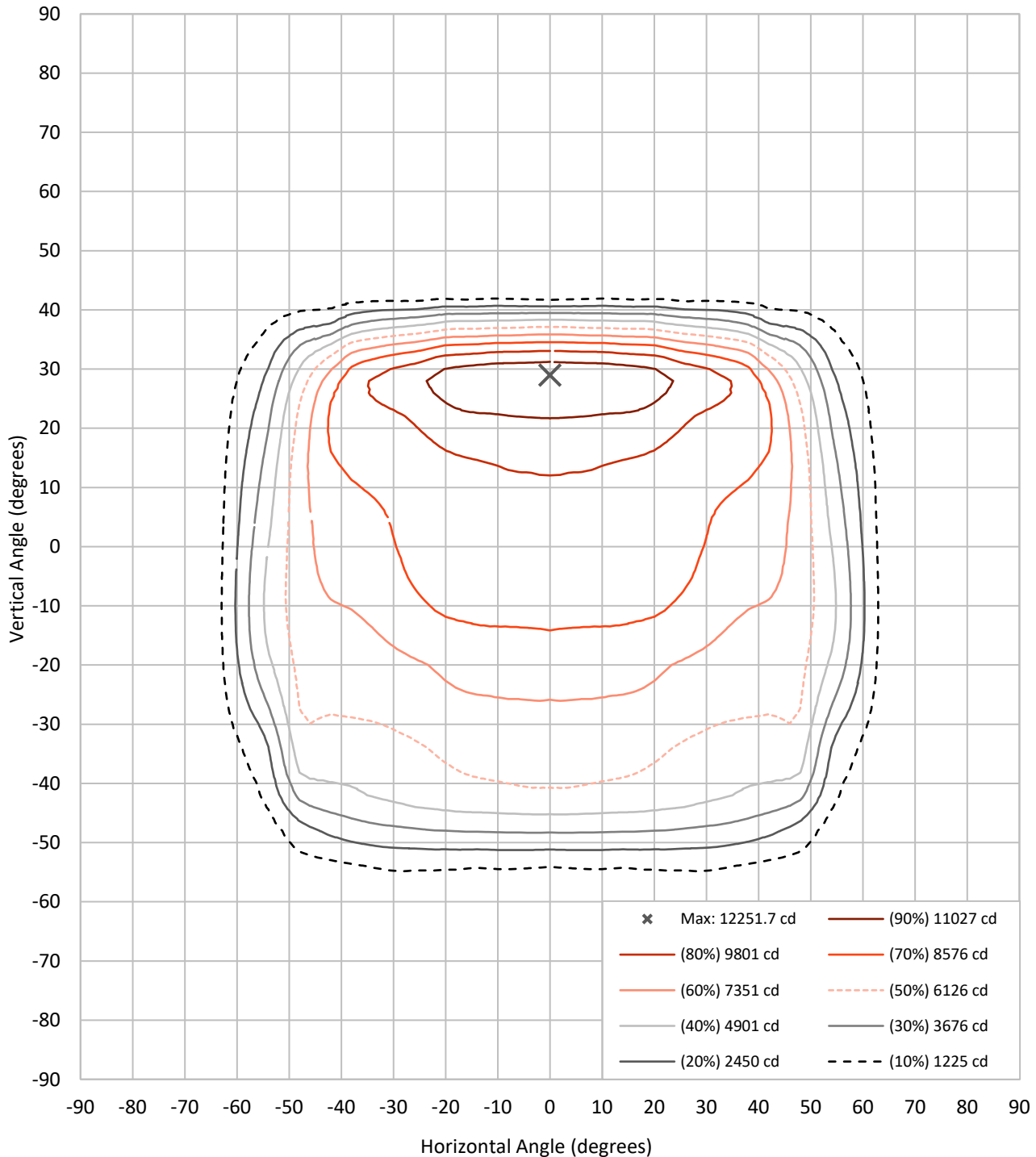
Lumens per Lamp:	N/A	NEMA Type:	6H x 5V
Luminaire Lumens:	20249 lumens	Max Intensity:	12251.7 candela
Efficiency:	N/A	Max Intensity Angle:	0°H x 29°V
Efficacy:	133.8 lumens/watt		
Luminous Opening:	Rectangular (W 1.25' x L: 0.67' x H: 0')		
Beam Angle (50%):	91.9°H x 77.9°V	Field Angle (10%):	119.5°H x 95.8°V
Beam Lumens:	15589.1 lumens	Field Lumens:	19731.9 lumens
Beam Efficiency:	77.0%	Field Efficiency:	97.4%

Input Watts (W): 151.3  
Input Voltage (V): 120  
Input Current (A<sub>in</sub>): NR  
Voltage Rise (V): NR  
Power Factor: NR  
Total Harmonic Distortion (THDi): NR  
Frequency (hertz): 60  
Stabilization Time: NR  
Operation Time: NR  
Ambient Temperature (°C): NR  
Test Distance: 25 FT



REPORT NUMBER: P571652  
CATALOG NUMBER: UFLD-CA2-150-750-U-66-TS2\_UFLD

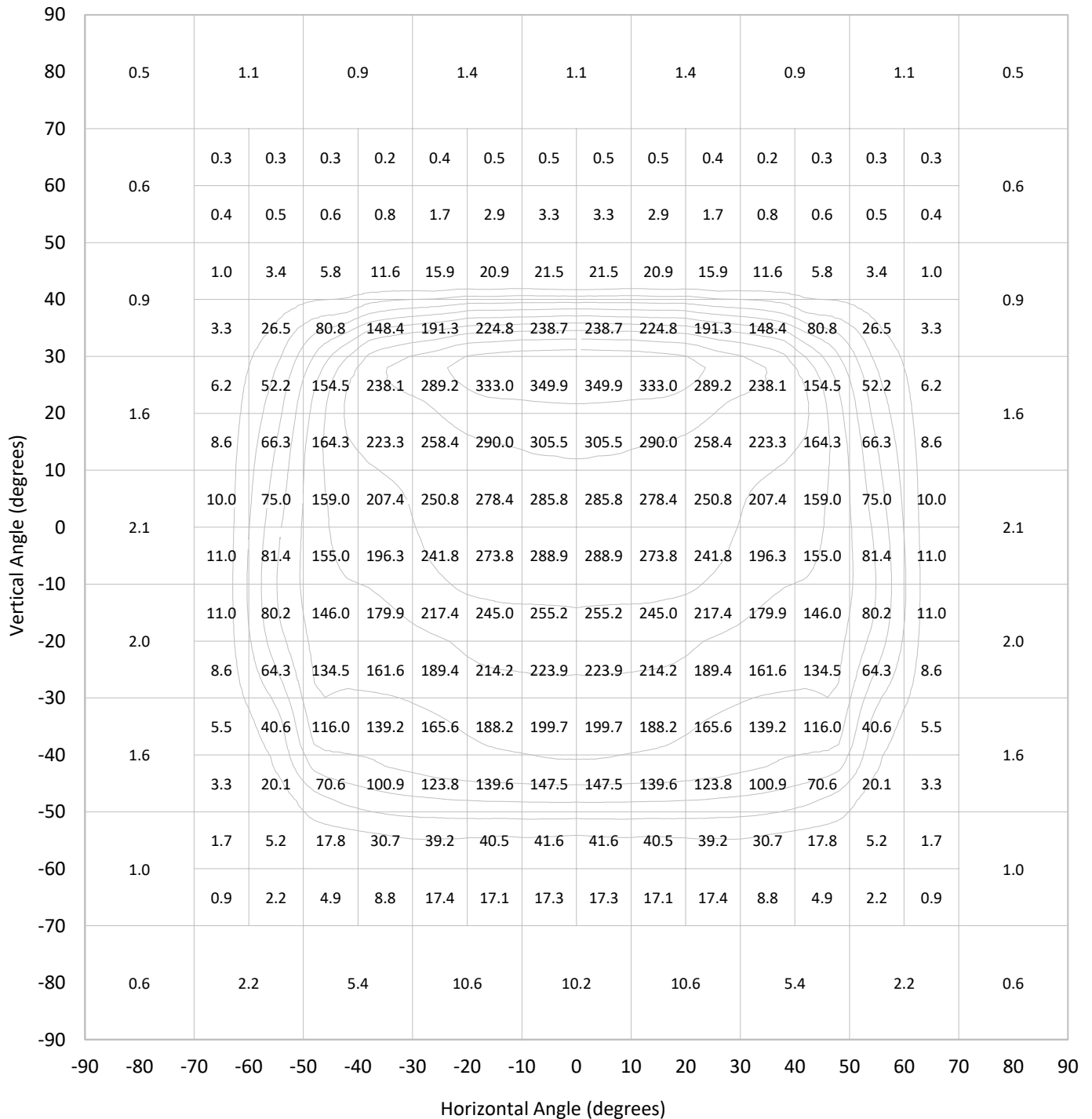
### Iso-Candela Plot





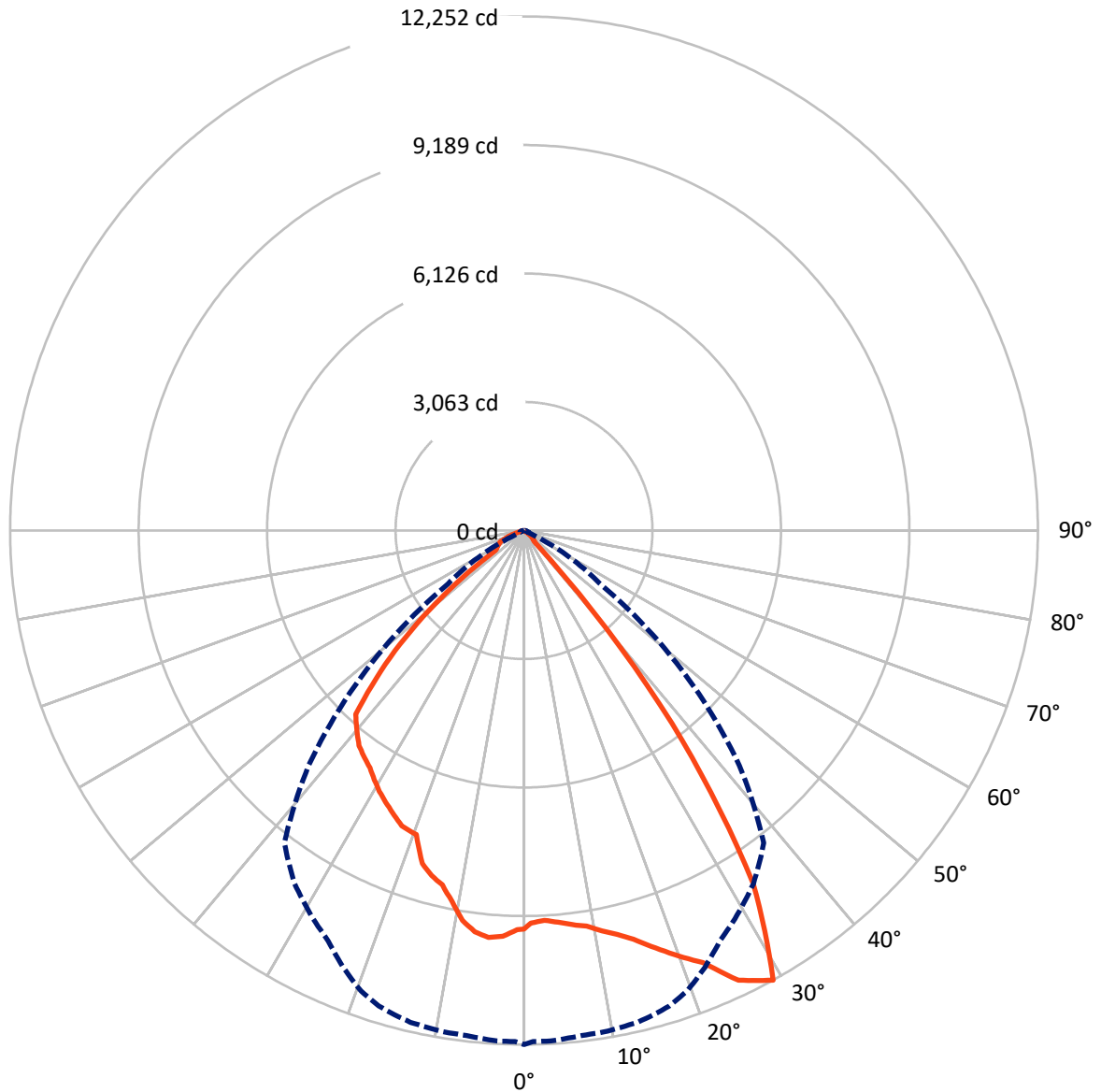
REPORT NUMBER: P571652  
 CATALOG NUMBER: UFLD-CA2-150-750-U-66-TS2\_UFLD

### Lumen Table



REPORT NUMBER: P571652  
CATALOG NUMBER: UFLD-CA2-150-750-U-66-TS2\_UFLD

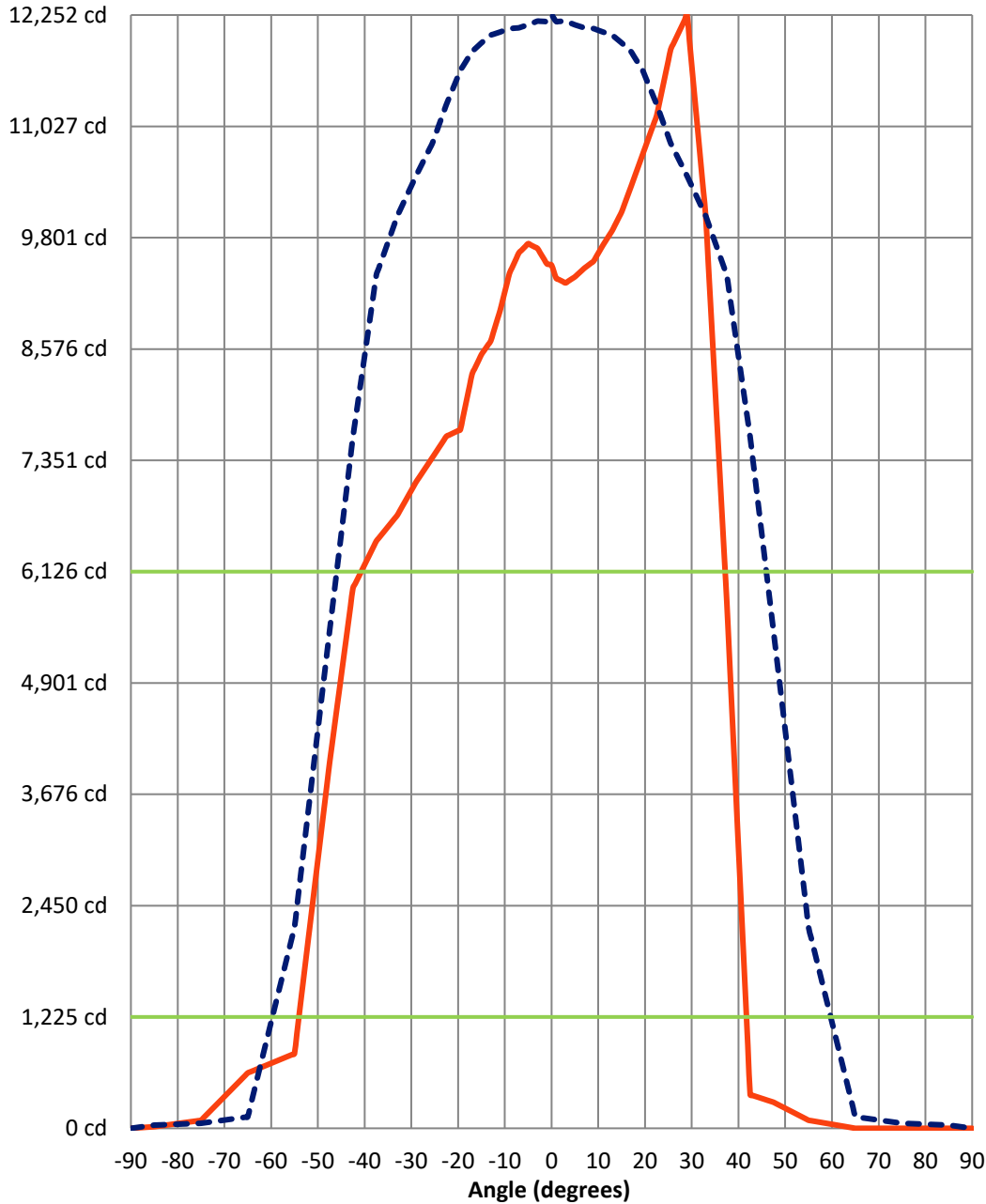
### Luminous Intensity Polar Plot



— Vertical Distribution Through 0-Deg      - - - Horizontal Distribution Through 29-Deg

REPORT NUMBER: P571652  
 CATALOG NUMBER: UFLD-CA2-150-750-U-66-TS2\_UFLD

### Luminous Intensity Plot



**Beam:**  
 H Angle: 91.9°  
 V Angle: 77.9°  
 Lumens: 15589.1  
 Efficiency: 77.0%

**Field:**  
 H Angle: 119.5°  
 V Angle: 95.8°  
 Lumens: 19731.9  
 Efficiency: 97.4%

**Spill:**  
 Lumens: 517.1  
 Efficiency: 2.6%

— Vertical Distribution through 0-Deg  
 - - - Horizontal Distribution through 29-Deg



REPORT NUMBER: P571652  
 CATALOG NUMBER: UFLD-CA2-150-750-U-66-TS2\_UFLD

FIELD  
 BEAM

**CANDELA DISTRIBUTION:**

	0°	1°	3°	5°	7°	9°	11°	13°	15°	17°	19.5°
90°	0.0	0.0	0.0	0.0	0.0	0.0	0.0	0.0	0.0	0.0	0.0
85°	0.0	5.5	13.8	17.5	18.4	20.3	20.3	22.1	22.1	21.2	20.3
75°	0.0	1.8	5.5	8.3	10.1	12.0	12.9	12.9	12.9	12.0	12.0
65°	0.0	0.9	3.7	5.5	7.4	8.3	8.3	9.2	9.2	9.2	8.3
55°	88.5	91.2	89.4	88.5	88.5	86.6	82.9	77.4	71.0	71.9	67.3
47.5°	286.6	283.8	284.7	282.9	280.1	271.8	267.2	263.5	260.8	259.9	247.9
42.5°	370.4	382.4	417.4	492.1	571.3	656.1	660.7	596.2	517.9	432.2	601.7
37.5°	5795.1	5884.4	5766.5	5735.2	5579.4	5612.6	5585.0	5497.4	5491.0	5540.7	5479.9
33°	10031.0	10064.2	10002.4	9985.9	9953.6	9953.6	9918.6	9761.9	9648.6	9578.6	9556.5
29°	12251.7	12179.8	12184.5	12143.9	12110.7	12102.4	12064.7	12030.6	11944.9	11850.0	11642.6
25.5°	11873.9	11837.1	11854.6	11787.3	11775.3	11725.6	11730.2	11684.1	11621.4	11522.8	11301.7
22.5°	11145.0	11149.7	11146.9	11111.9	11099.0	11053.8	10999.5	10989.3	10983.8	10911.9	10750.7
19.5°	10718.4	10673.3	10657.6	10680.6	10641.9	10584.8	10523.1	10481.6	10431.8	10411.6	10351.7
17°	10362.7	10314.8	10336.0	10302.8	10277.0	10202.4	10137.0	10080.8	10055.0	10019.0	9931.5
15°	10084.5	10046.7	10040.2	10015.3	10034.7	9943.5	9904.8	9856.8	9804.3	9751.8	9680.9
13°	9880.8	9890.0	9874.4	9808.9	9838.4	9765.6	9717.7	9656.9	9612.7	9564.7	9525.1
11°	9718.6	9730.6	9668.0	9665.2	9679.0	9584.1	9570.3	9499.3	9474.4	9479.1	9373.1
9°	9542.6	9569.4	9591.5	9562.0	9540.8	9503.0	9480.9	9455.1	9408.1	9415.5	9388.7
7°	9464.3	9442.2	9436.7	9479.1	9445.9	9409.9	9372.2	9386.0	9395.2	9421.0	9388.7
5°	9370.3	9383.2	9391.5	9365.7	9361.1	9374.9	9351.0	9378.6	9386.9	9571.2	9628.3
3°	9303.1	9351.0	9326.1	9294.8	9316.9	9338.1	9387.8	9392.4	9481.8	9589.6	9621.0
1°	9354.7	9388.7	9391.5	9391.5	9413.6	9481.8	9487.3	9515.0	9580.4	9625.6	9650.4
0°	9499.3	9478.1	9491.0	9471.7	9525.1	9560.1	9564.7	9542.6	9590.5	9743.5	9743.5
-1°	9514.1	9523.3	9561.1	9571.2	9557.4	9600.7	9533.4	9538.9	9562.0	9652.3	9567.5
-3°	9682.7	9685.5	9680.9	9684.5	9662.4	9650.4	9603.4	9565.7	9511.3	9425.6	9353.7
-5°	9736.1	9742.6	9718.6	9707.6	9657.8	9577.6	9552.8	9488.3	9399.8	9304.0	9234.9
-7°	9632.9	9634.8	9557.4	9578.6	9496.6	9404.4	9340.8	9251.5	9187.9	9094.8	9025.7
-9°	9408.1	9374.9	9321.5	9304.9	9227.5	9114.2	9027.5	8960.3	8928.0	8873.7	8889.3
-11°	9000.8	8974.1	8976.9	8931.7	8872.7	8823.0	8780.6	8752.9	8733.6	8710.6	8677.4
-13°	8665.4	8651.6	8605.5	8619.3	8589.8	8600.0	8609.2	8598.1	8575.1	8544.7	8496.8
-15°	8515.2	8504.1	8483.9	8468.2	8465.4	8465.4	8461.8	8457.2	8436.9	8361.3	8287.6
-17°	8300.5	8272.9	8271.0	8266.4	8256.3	8261.8	8250.7	8231.4	8225.9	8175.2	8103.3
-19.5°	7689.6	7703.4	7701.6	7721.8	7699.7	7737.5	7751.3	7752.2	7723.7	7691.4	7631.5
-22.5°	7614.9	7572.6	7578.1	7590.1	7568.9	7560.6	7556.9	7560.6	7532.0	7494.2	7397.5
-25.5°	7380.9	7397.5	7398.4	7374.4	7378.1	7381.8	7338.5	7335.7	7307.2	7265.7	7160.7
-29°	7110.9	7121.0	7098.0	7099.8	7061.1	7044.6	6993.9	6964.4	6917.4	6889.8	6787.5
-33°	6746.9	6770.0	6748.8	6742.3	6704.5	6675.1	6632.7	6611.5	6536.8	6469.6	6393.1
-37.5°	6461.3	6435.5	6429.0	6441.9	6392.2	6375.6	6335.0	6300.0	6247.5	6182.1	6085.3
-42.5°	5941.6	5974.7	5962.8	5925.0	5903.8	5841.1	5816.3	5784.9	5764.6	5754.5	5644.9
-47.5°	4016.6	4034.1	4028.6	4015.7	4001.9	3996.4	3969.6	3948.5	3943.8	3927.3	3874.7
-55°	821.9	843.1	858.8	897.5	914.1	938.0	915.9	874.5	867.1	953.7	946.3
-65°	609.1	606.3	603.6	600.8	596.2	594.3	598.9	602.6	599.9	611.8	635.8
-75°	87.5	86.6	89.4	90.3	83.9	83.9	97.7	94.9	98.6	98.6	99.5
-85°	17.5	15.7	17.5	25.8	26.7	30.4	33.2	35.9	36.9	36.9	36.9
-90°	0.0	0.0	0.0	0.0	0.0	0.0	0.0	0.0	0.0	0.0	0.0



REPORT NUMBER: P571652  
 CATALOG NUMBER: UFLD-CA2-150-750-U-66-TS2\_UFLD

**CANDELA DISTRIBUTION (continued):**

	22.5°	25.5°	29°	33°	37.5°	42.5°	47.5°	55°	65°	75°	85°
90°	0.0	0.0	0.0	0.0	0.0	0.0	0.0	0.0	0.0	0.0	0.0
85°	18.4	16.6	14.7	12.9	11.1	12.0	13.8	17.5	24.9	28.6	31.3
75°	11.1	10.1	9.2	9.2	9.2	11.1	12.9	16.6	24.0	27.6	32.3
65°	8.3	7.4	6.5	6.5	6.5	8.3	12.9	17.5	24.9	28.6	32.3
55°	60.8	44.2	24.9	25.8	25.8	26.7	27.6	23.0	28.6	31.3	33.2
47.5°	211.0	149.3	90.3	71.0	71.0	61.7	53.4	40.5	52.5	34.1	33.2
42.5°	591.6	270.9	434.9	465.3	403.6	180.6	237.7	270.0	67.3	38.7	34.1
37.5°	5032.1	4818.3	4530.8	4291.2	3742.0	2361.7	2135.9	939.0	80.2	44.2	34.1
33°	9220.1	8726.2	8485.7	7988.1	7605.7	5566.5	4295.8	1597.8	105.0	49.8	35.0
29°	11266.7	10840.0	10480.7	10039.3	9387.8	7605.7	5467.9	2210.6	126.2	55.3	35.0
25.5°	10960.8	10614.3	10266.0	9939.8	9589.6	8398.2	6189.4	2652.9	146.5	61.7	35.0
22.5°	10439.2	10060.5	9738.0	9546.3	9348.2	8658.0	6574.6	2961.6	165.9	68.2	35.9
19.5°	10043.0	9705.7	9409.9	9214.6	9197.1	8704.1	6789.3	3212.2	188.9	79.2	35.9
17°	9683.6	9406.3	9169.4	9080.1	9124.3	8584.3	6946.0	3419.5	210.1	86.6	35.9
15°	9441.3	9222.9	9031.2	9010.0	8980.5	8448.9	7063.0	3595.5	227.6	90.3	35.9
13°	9331.6	9139.0	8989.8	8969.5	8799.0	8289.4	7126.6	3756.8	241.4	93.1	35.9
11°	9203.5	9075.5	8997.1	8836.8	8598.1	8088.6	7131.2	3896.9	255.2	97.7	35.9
9°	9225.7	9058.9	8934.5	8682.9	8401.9	7987.2	7131.2	4024.0	252.5	100.4	35.9
7°	9235.8	9080.1	8823.0	8529.9	8248.0	7886.8	7149.6	4150.3	240.5	104.1	35.9
5°	9283.7	9057.9	8767.7	8410.2	8121.7	7814.9	7089.7	4279.3	235.9	106.9	35.9
3°	9286.5	9056.1	8744.6	8291.3	8033.3	7746.7	7082.3	4389.8	235.0	107.8	36.9
1°	9289.2	9046.9	8672.8	8173.3	7957.7	7712.6	7072.2	4513.3	237.7	107.8	36.9
0°	9275.4	9005.4	8642.4	8143.9	7910.7	7686.8	7084.2	4578.7	239.6	106.0	36.9
-1°	9259.7	8949.2	8567.7	8102.4	7874.8	7676.7	7071.3	4643.2	239.6	105.0	36.9
-3°	9144.6	8857.1	8497.7	8063.7	7812.1	7615.9	7023.4	4753.8	247.0	105.0	36.9
-5°	9024.8	8753.9	8423.1	7959.6	7735.7	7541.2	7036.3	4819.2	250.6	105.0	36.9
-7°	8905.9	8623.0	8318.0	7913.5	7623.2	7428.8	7002.2	4904.0	251.6	104.1	36.9
-9°	8712.4	8467.3	8142.9	7744.9	7476.7	7345.9	6990.2	4946.4	253.4	104.1	36.9
-11°	8549.3	8258.1	7965.1	7597.4	7334.8	7208.6	6933.1	4940.9	255.2	103.2	36.9
-13°	8321.7	8061.8	7795.5	7449.1	7213.2	7051.9	6875.0	4907.7	254.3	104.1	36.9
-15°	8116.2	7861.9	7593.7	7321.9	7076.8	6886.1	6788.4	4832.1	254.3	104.1	36.9
-17°	7908.0	7661.9	7410.4	7148.7	6940.4	6788.4	6723.9	4689.3	252.5	103.2	36.9
-19.5°	7441.7	7254.6	7098.0	6955.2	6780.1	6602.3	6622.5	4430.4	246.0	103.2	36.9
-22.5°	7206.7	7016.0	6856.6	6712.8	6574.6	6398.6	6515.6	4037.8	235.9	101.4	36.9
-25.5°	6993.9	6810.5	6646.5	6503.7	6409.7	6301.9	6418.9	3529.2	225.8	99.5	36.9
-29°	6633.6	6482.5	6347.0	6205.1	6129.5	6084.4	6264.1	2849.2	218.4	95.8	35.9
-33°	6232.8	6103.7	5971.1	5779.4	5698.3	5699.2	5900.1	1997.7	213.8	90.3	35.9
-37.5°	5950.8	5808.0	5609.8	5397.9	5249.6	5276.3	5316.8	1562.8	216.5	82.0	35.9
-42.5°	5498.3	5421.9	5182.3	4975.0	4704.0	4429.5	4020.3	1167.5	189.8	68.2	35.9
-47.5°	3844.3	3733.8	3632.4	3517.2	3265.7	2811.4	2148.8	461.7	169.5	53.4	35.9
-55°	1003.5	991.5	1056.0	971.2	795.2	593.4	516.9	176.9	128.1	46.1	35.9
-65°	691.1	717.8	563.9	375.0	189.8	161.3	251.6	95.8	70.0	40.5	35.0
-75°	96.8	86.6	68.2	71.9	75.6	71.0	64.5	39.6	39.6	36.9	34.1
-85°	35.9	34.1	33.2	32.3	30.4	28.6	28.6	29.5	33.2	35.9	34.1
-90°	0.0	0.0	0.0	0.0	0.0	0.0	0.0	0.0	0.0	0.0	0.0





REPORT NUMBER: P571652  
CATALOG NUMBER: UFLD-CA2-150-750-U-66-TS2\_UFLD

**CANDELA DISTRIBUTION (continued):**

	90°
90°	0.0
85°	0.0
75°	0.0
65°	0.0
55°	0.0
47.5°	0.0
42.5°	0.0
37.5°	0.0
33°	0.0
29°	0.0
25.5°	0.0
22.5°	0.0
19.5°	0.0
17°	0.0
15°	0.0
13°	0.0
11°	0.0
9°	0.0
7°	0.0
5°	0.0
3°	0.0
1°	0.0
0°	0.0
-1°	0.0
-3°	0.0
-5°	0.0
-7°	0.0
-9°	0.0
-11°	0.0
-13°	0.0
-15°	0.0
-17°	0.0
-19.5°	0.0
-22.5°	0.0
-25.5°	0.0
-29°	0.0
-33°	0.0
-37.5°	0.0
-42.5°	0.0
-47.5°	0.0
-55°	0.0
-65°	0.0
-75°	0.0
-85°	0.0
-90°	0.0

(END OF REPORT)